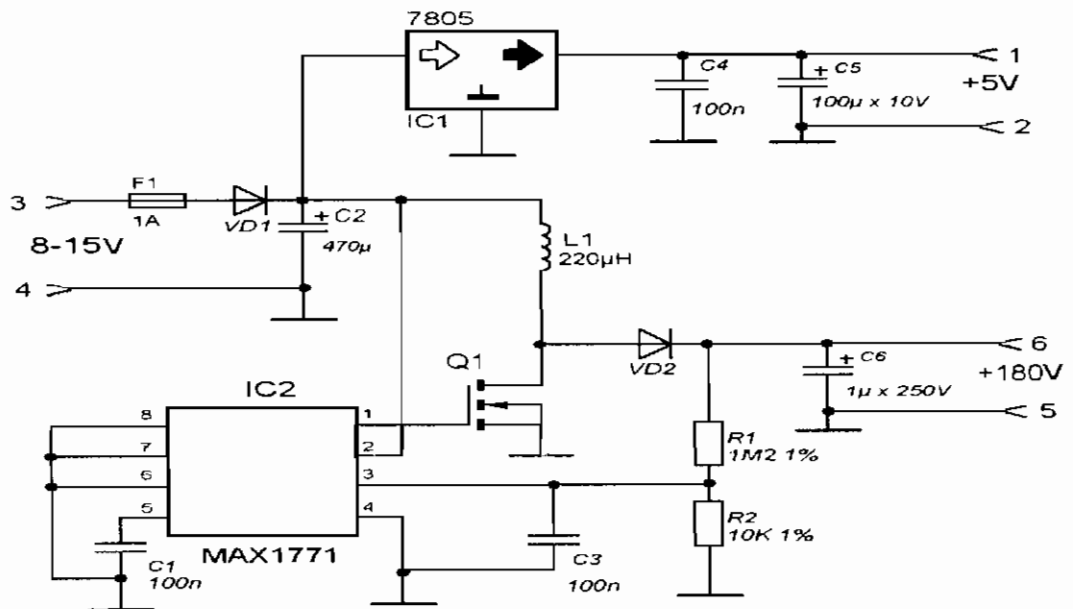


# NIXIE Tube Power Supply Module V.02

## Electrical parameters :

Input Voltage	8-15V
Output 1 Voltage (pin 1)	5V +/- 1%
Output 2 Voltage (pin 6)	150V +/- 2%
Output 1 Max Current (without radiator)	100mA at 12V input 250mA at 9V input
Output 2 Max Current	21mA at 12V input 11mA at 9V input
Efficiency at Output 2 (pin 6)	~ 86 %
Module dimensions	46mm x 25mm x 15mm

Circuit diagram:



R1 should be adjusted for different High Voltage.  
Use 1.2M to get 180V, 1M for 150V, 760K for 120V

Each board is fully tested before I ship it to you. Please take care when connection this board !  
Wrong connection does not damage the board, but it would not work!  
For your fist test, please use solderless breadboard, as I can't accept return, if board has been soldered

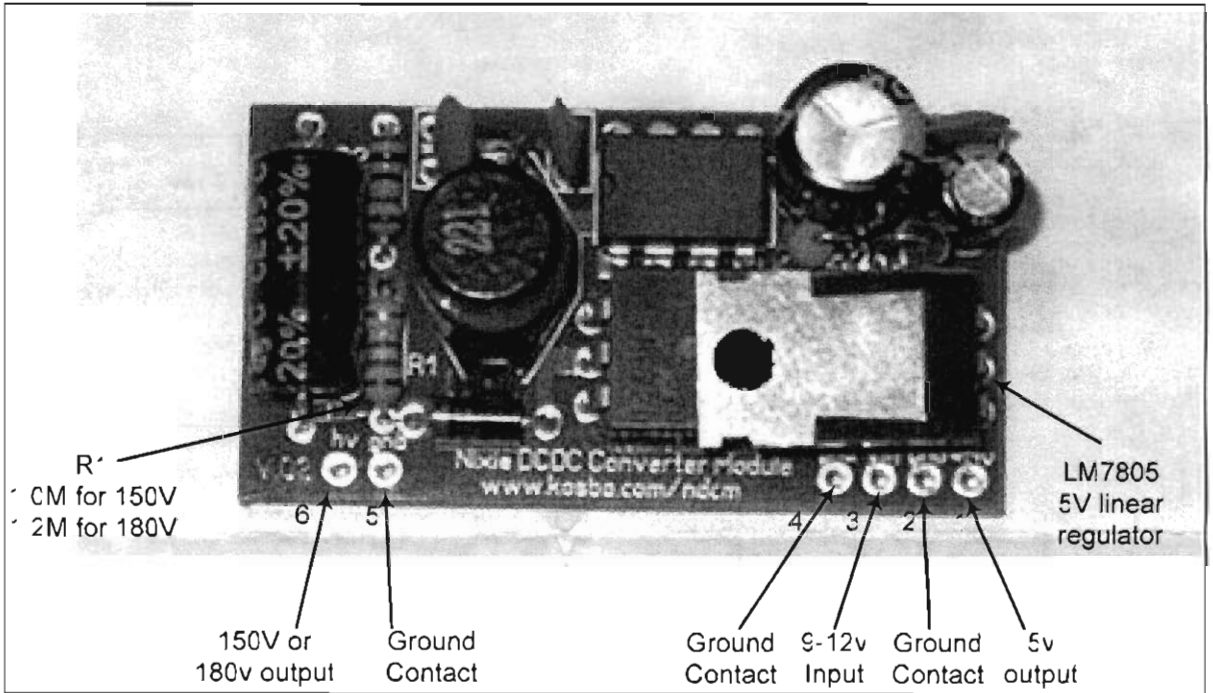
Warning:

**This board produce high voltage which could cause electrical shock to anyone who is careless.  
I accept no responsibilities for any accidents occurs during mishandling the board.**

Please note, that you must not supply more than 15V to this module as it could destroy it.

Please use only certified and **REGULATED** direct current Power adapter, as unregulated power adapter can have more than 16v without load and it could destroy your module.

If in doubt how to connect or use it, please feel free to ask me.



Useful link:

[www.kosbo.com](http://www.kosbo.com)

Always something new and unique