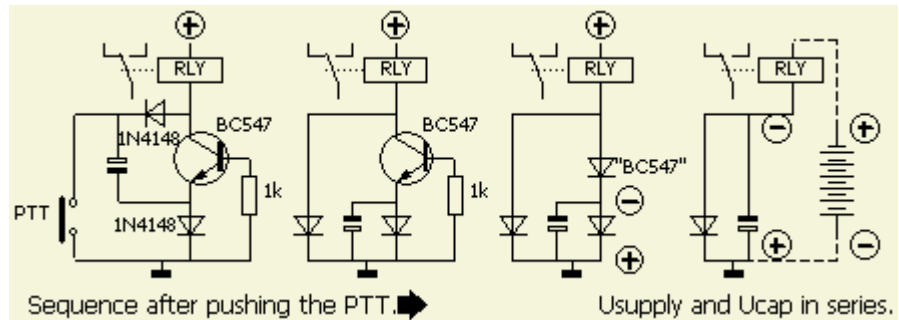


## RELAY SPEED-UP

(Increasing relay speed)

This in many magazines published simple design for increasing the relay speed is often overlooked. The circuit speeds the relay by momentarily doubling the normal supply voltage and I added the gadget in a Ten Tec Corsair II and a linear (home brewed) amplifiers for speeding-up the T/R relays.



On receive the capacitor is charged to the supply voltage through both diodes. When the switch (PTT) is pushed, the transistor turns on through 1 k $\Omega$  by the charged capacitor. Then the relay momentarily is supplied with twice its voltage and closes faster than normal without harming the coil. As soon as the capacitor discharges, the relay coil sees a normal supply voltage.



# Increasing Amplifier Relay Speed

Bob Wolbert, K6XX

The first element of all of my transmissions was shortened when running the amplifier. Worse, the transmitter ALC swung high, which automatically reduced transmitter power for several seconds. Both problems were traced to a slow acting T/R relay in the amplifier.

The circuit (Figure 1) speeds the relay by blasting it with twice the normal coil voltage when first activated. The coil voltage decays to normal within a few milliseconds (decay time is proportional to the capacitor size;  $47\mu\text{F}$  is a good starting point). This circuit was designed by Tony, K1KP.

This circuit only does its magic with amplifiers that switch a relay coil to transmit. Also, the relay must use a DC coil. Suitable amplifiers include the Drake L4B and L7, Ameritron amps, and the TL-922.

Does this harm the relay? I don't think so. For example, W6CYX has modified the relay supply voltage in his TL-922 (which has an *exceptionally* sluggish relay) so that it is double its design voltage full time. He has run it every day for several years without problems.

After adding these parts to the T/R cable from the rig to the amplifier, my AL-1200 no longer truncates leading dots, even at high speed. If your amplifier has slow T/R switching, try installing this simple circuit in the T/R line!

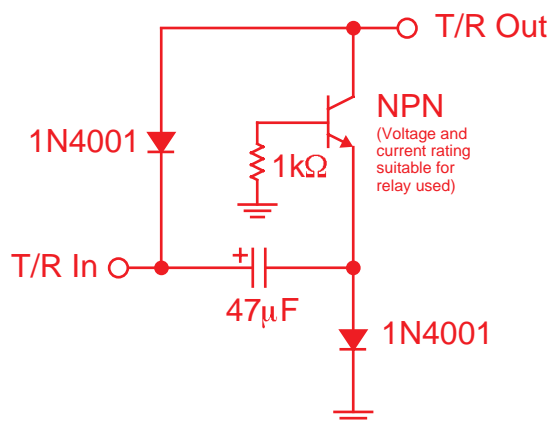


Figure 1. Relay Accelerator Speeds Your Amplifier

## Circuit Operation

When the amplifier is initially powered up, the T/R Out voltage rises, charging the capacitor through both diodes. When T/R In is pulled low (to about zero volts), the emitter of the NPN transistor suddenly falls to a negative voltage—nearly equal in magnitude to the open key voltage ( $V_{\text{OPEN}}$ ) on T/R Out. The transistor turns ON and the instantaneous voltage on T/R Out is  $-V_{\text{OPEN}}$ . The relay coil sees twice  $V_{\text{OPEN}}$  across it and closes faster than normal. As soon as the capacitor discharges, the relay coil only sees  $V_{\text{OPEN}}$ , so coil power dissipation remains normal.

When T/R In goes high, T/R Out stays low only until the capacitor charges up again—a very short while. The  $1\text{k}\Omega$  base resistor is needed to prevent the transistor from clamping the negative spike to only  $-0.7\text{V}$  (and also avoids destructively high base currents).

Before you select a transistor, measure  $V_{\text{OPEN}}$  and the short-circuit (key down) current through T/R Out. The Ameritron relays generally run 12V at about 100mA. The L4B switches 50V at 50mA. Make sure your transistor can handle both the open circuit voltage and the short circuit current. The capacitor must have a voltage rating above  $V_{\text{OPEN}}$ .