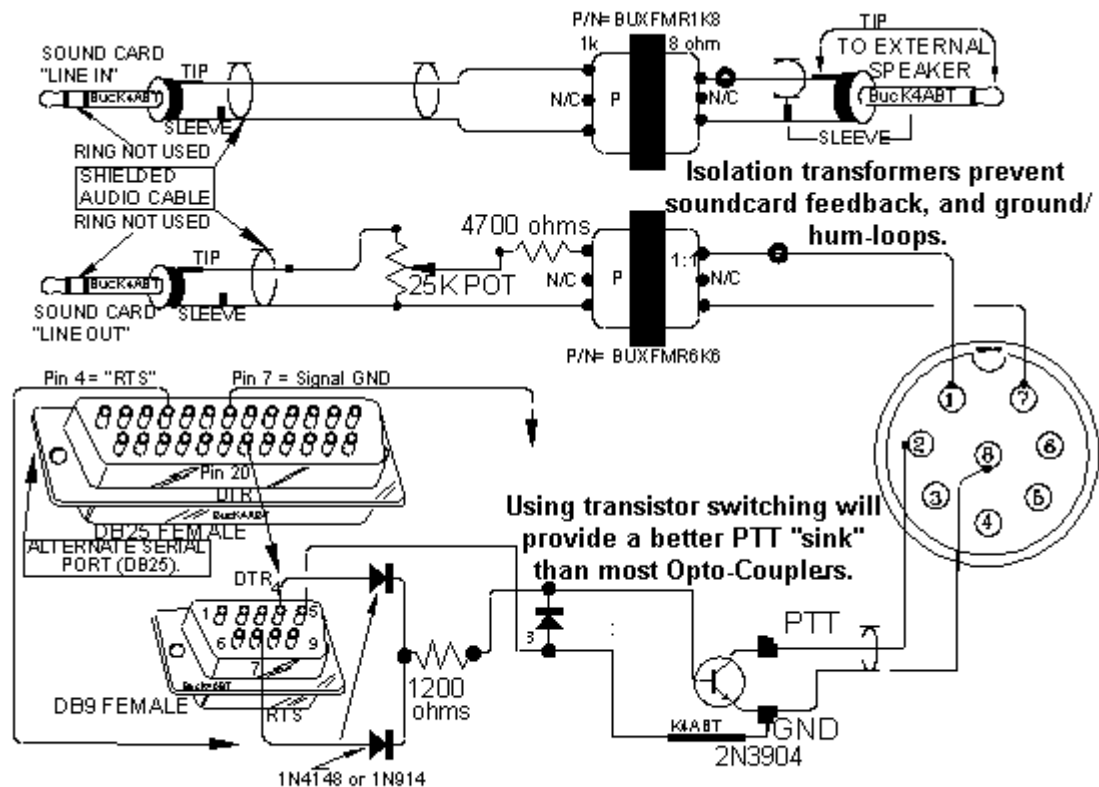


(TIP) As a starting point, go into the sound card parameters and set "LINE OUT" half open, and set "LINE IN" half open. KENWOOD TS-690S, and HF transceivers to PC SB16 for PSK31 and SSTV use.

From: <http://www.buxcomm.com/bbbb.htm>



ALINCO or KENWOOD HF TRANSCEIVER WITH 8 PIN MICROPHONE PORT.