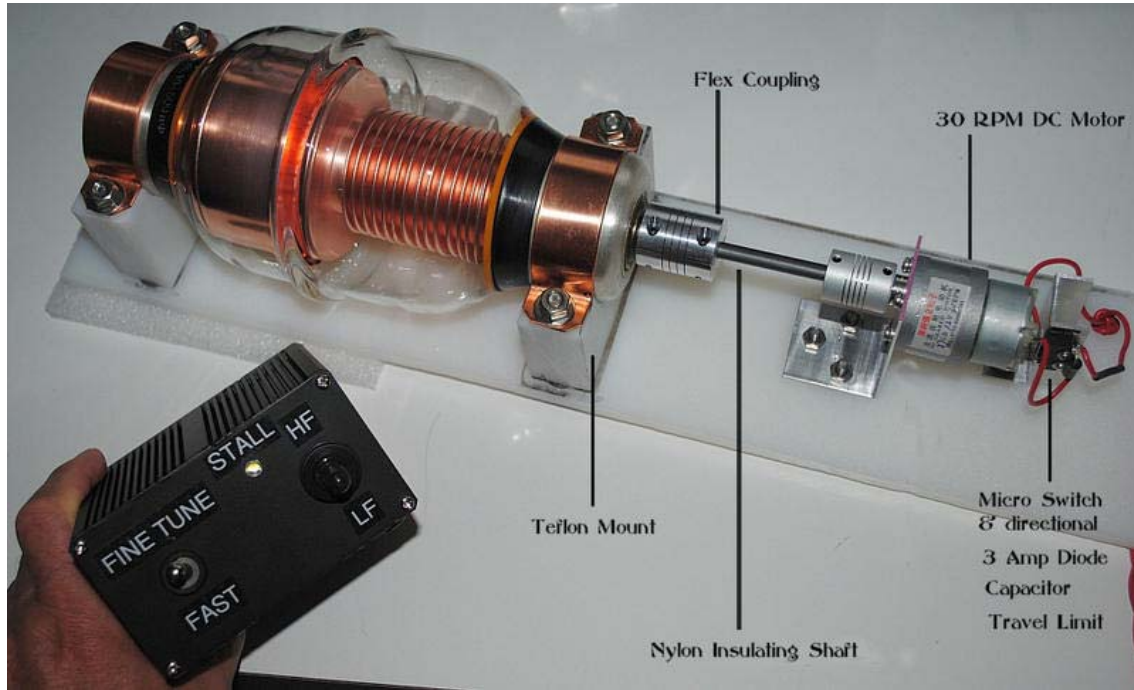
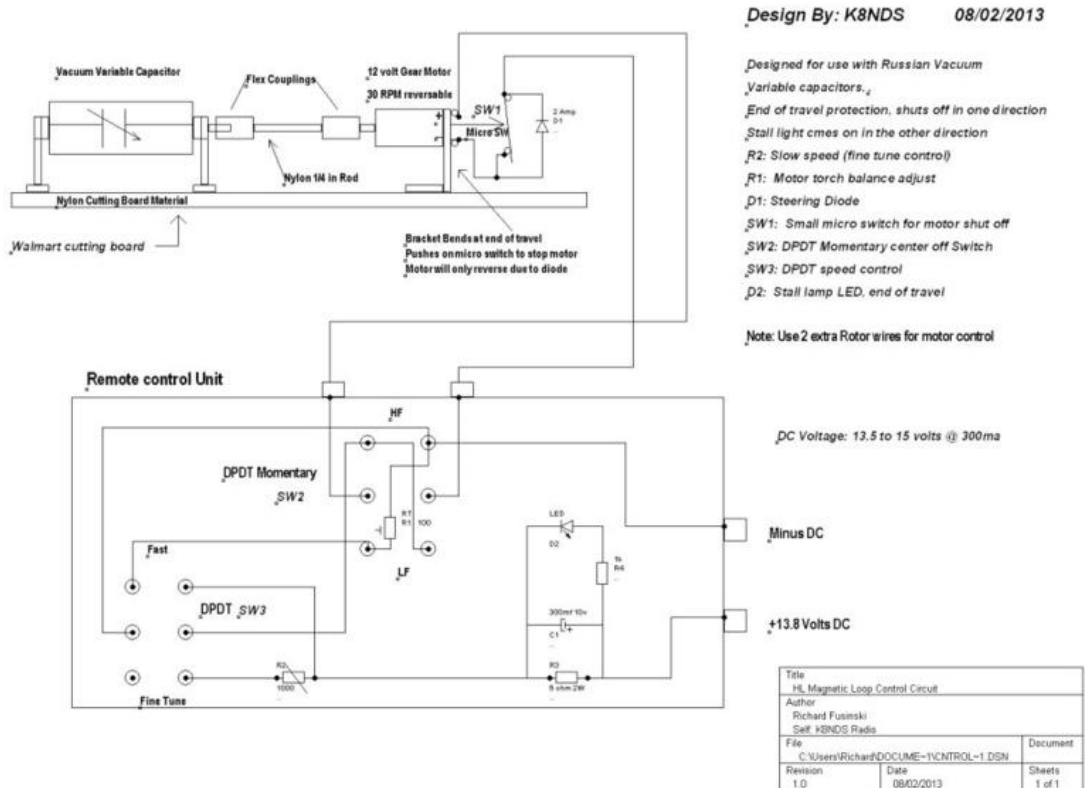


Latest Tuner design, direct drive with limit travel and motor stall Warning Led on control unit.



Remote tuner and controller Schematic/block diagram. Revised 11/12/2013



<https://www.qrz.com/db/K8NDS>

This control circuit above has been replaced with PWM (pulse width modulator) circuit board which is available on Ebay.

It makes it much simpler plus better speed control. The end of travel micro switch and steering diode remains the same.